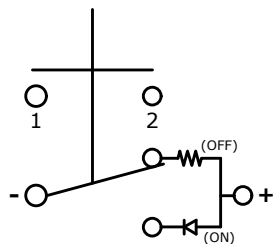


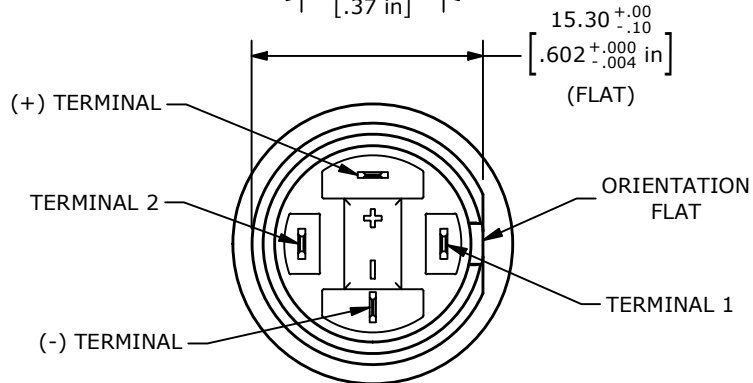
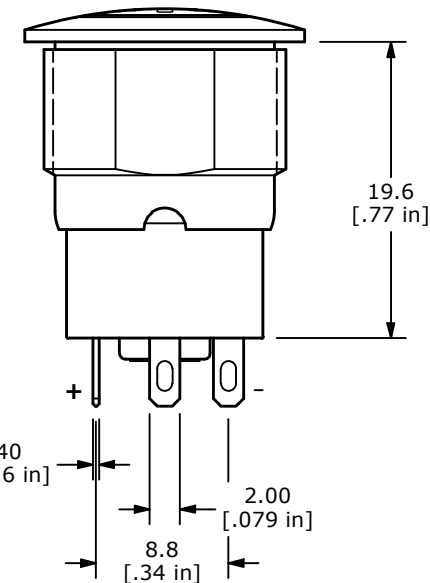
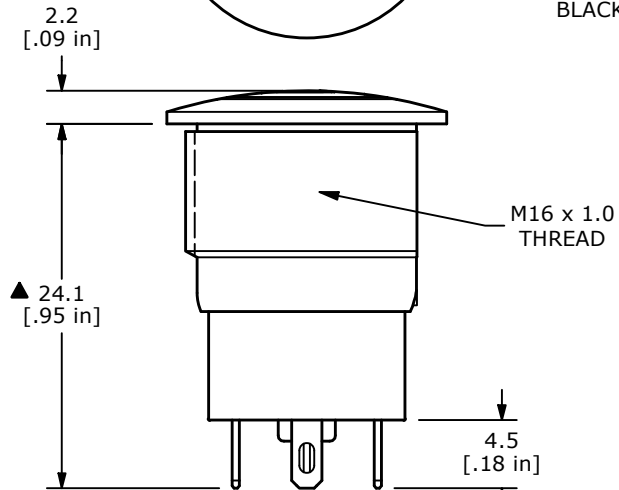
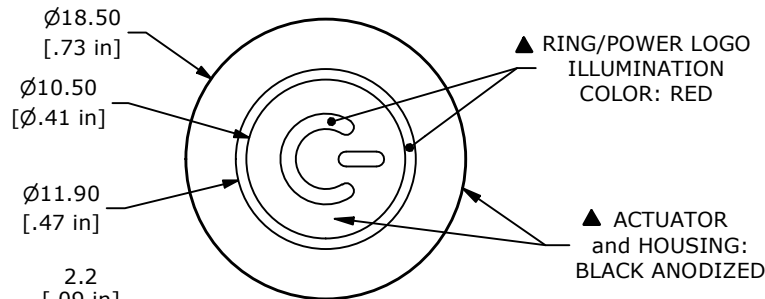
RECOMMENDED
PANEL CUT-OUT



▲ SCHEMATIC
SPST
(OFF - ON LATCHING)

NOTE:

1. ALL DIMENSIONS IN MM [INCH]
2. GENERAL TOLERANCE: X.X = ±0.4
X.XX = ±0.25
3. TERMINAL NUMBERS FOR REF ONLY
4. CONTACT MATERIAL: COIN SILVER, GOLD FLASH PLATED
5. RATING: 2A 36VDC
6. ELECTRIC LIFE: 100,000 CYCLES
7. INSULATION RESISTANCE: 1,000MΩ MIN @ 500VDC.
8. DIELECTRIC STRENGTH: 2,000VAC MIN. FOR 1 MINUTE
9. CONTACT RESISTANCE: 50mΩ MAX. @ 1A 12VDC
10. OPERATING TEMP.: -20°C to 70°C
11. TRAVEL: 2.3 ±0.40 mm
12. OPERATING FORCE: 460 ±150 GRAMS
13. ▲ DENOTES CRITICAL PARAMETER.
- ▲ 14. ILLUMINATION COLOR: RED (ON POSITION)
- ▲ 15. ILLUMINATION VOLTAGE RATING: 1.7 - 2.5V @ 20mA
- ▲ 16. HARDWARE SUPPLIED: O-RING and HEXNUT (NOT SHOWN)
17. INGRESS PROTECTION: IP67



A	24297	New Release	5/14/20	MW
REV	PCR NO	DESCRIPTION	DATE	BY

TITLE PVA6LRP21111				
SCALE 2:1	DATE 5/14/2020	DR MW	DWG T960118	REV A

THE INFORMATION CONTAINED IN THIS DOCUMENT IS PROPRIETARY TO E-SWITCH AND IS NOT TO BE COPIED OR TRANSFERRED